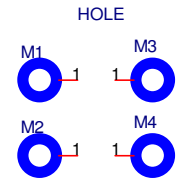
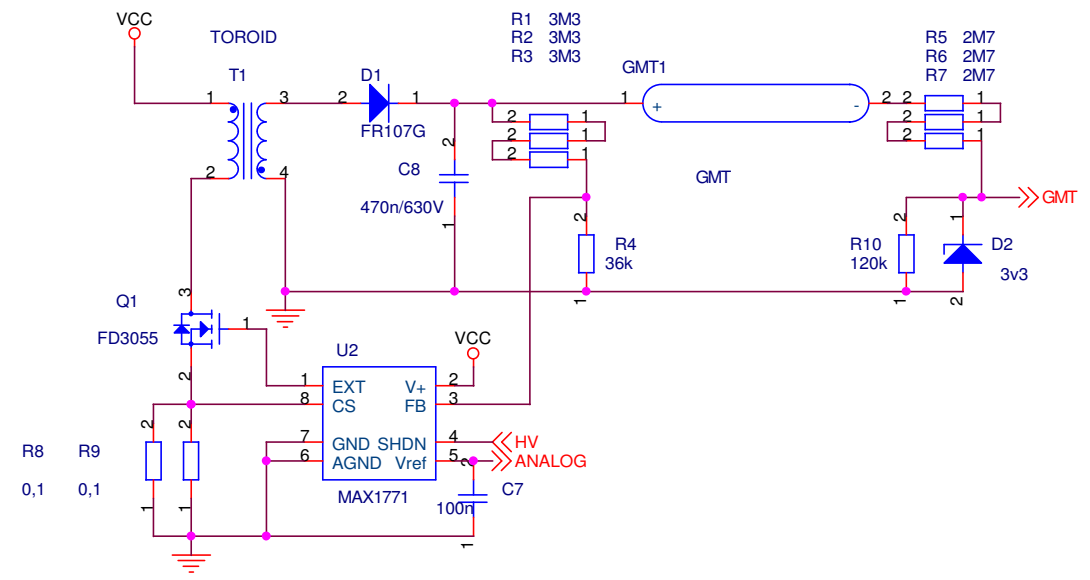
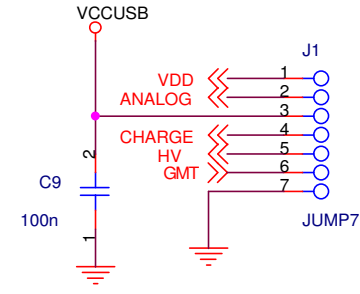


C1 C2 C3
1m/6,3V 1m/6,3V 1m/6,3V



Firma		MLAB		Author mija & mise	
Size A4	Project Name GMCOUNT		Schematic Name high voltage circuit		Rev A
Date:	Monday, October 15, 2007		Sheet	1	of 1