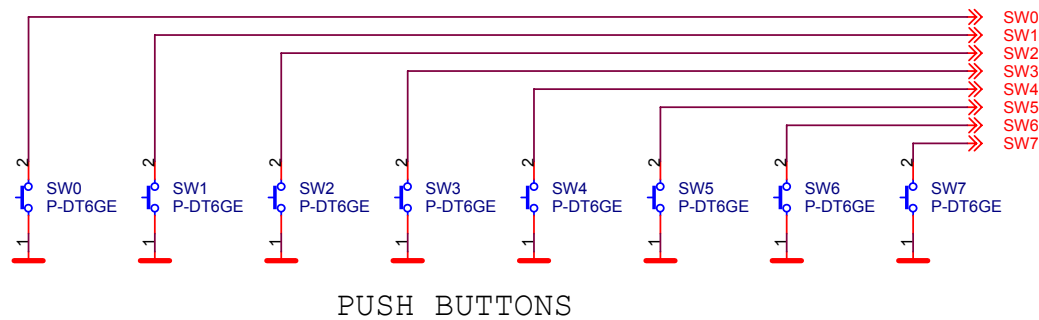


# TRAIN01A

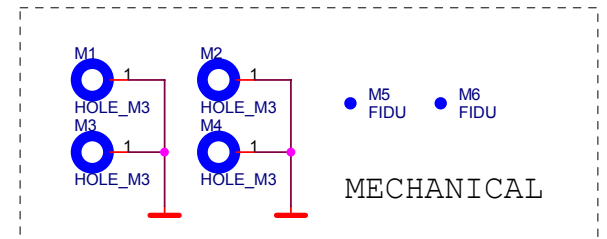
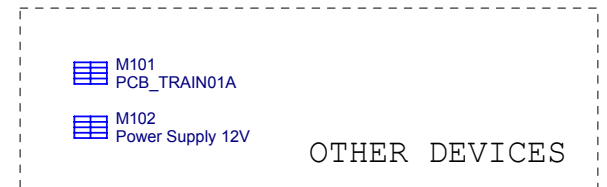
# Simple Train Controller

History

1.0 First Version

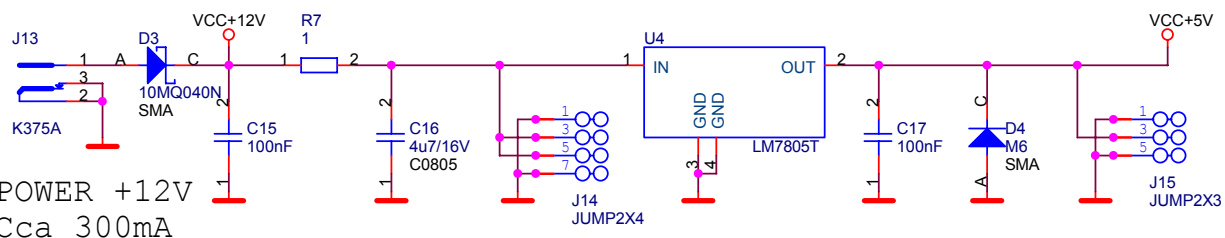
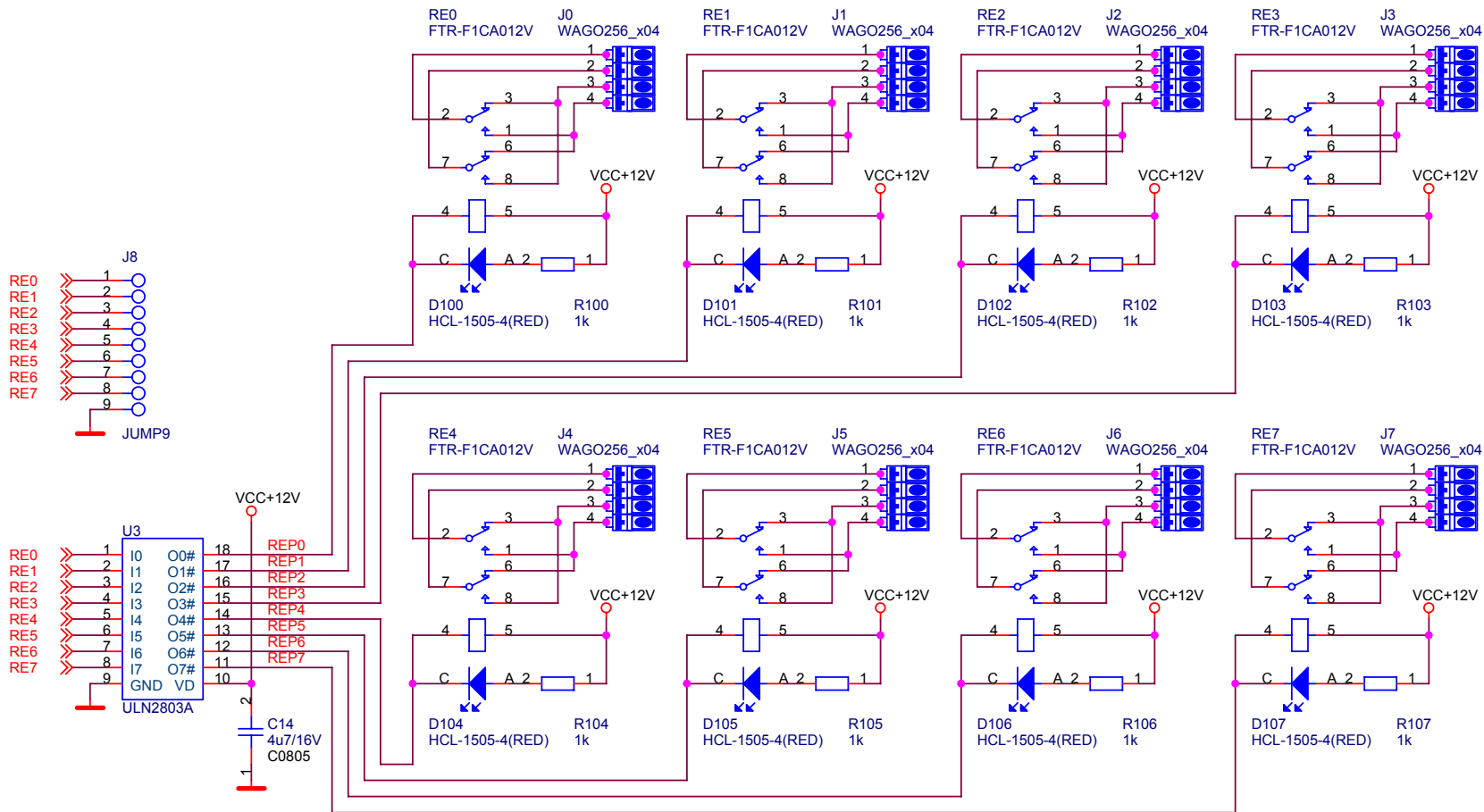


PUSH BUTTONS



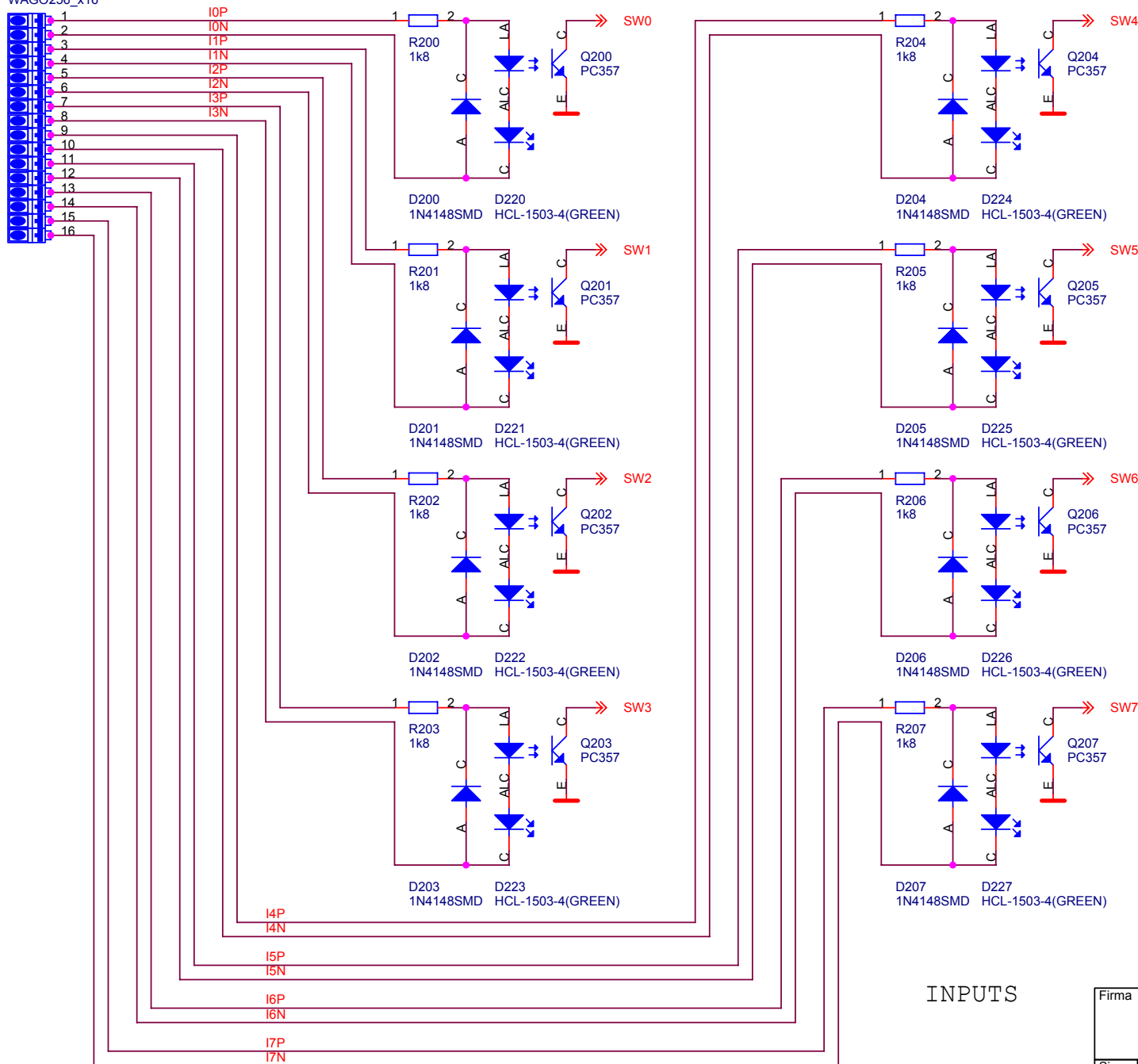
Firma <b>MLAB</b>		Author MIHO	
Size A4	Project Name MLAB	Schematic Name TRAIN01A	Rev 1.0
Date: Thursday, May 23, 2013	Sheet 1 of 2		





Firma		Author	
MLAB		MIHO	
Size	Project Name	Schematic Name	Rev
A4	MLAB	TRAIN01A	1.0
Date:	Thursday, May 23, 2013	Sheet	2 of 2

J9  
WAGO256\_x16



$$R = (U_{max} - 3V) / 0.005A$$

12V --> 1k8 / 80mW  
24V --> 2k2 / 250mW

INPUTS

Firma		Author	
MLAB		MIHO	
Size	Project Name	Schematic Name	Rev
A4	MLAB	TRAIN01A	1.0
Date:	Thursday, May 23, 2013	Sheet	2 of 2