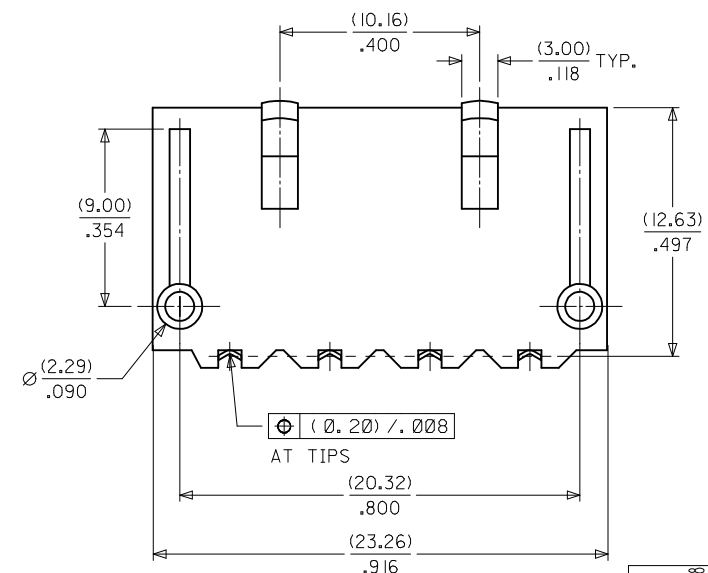
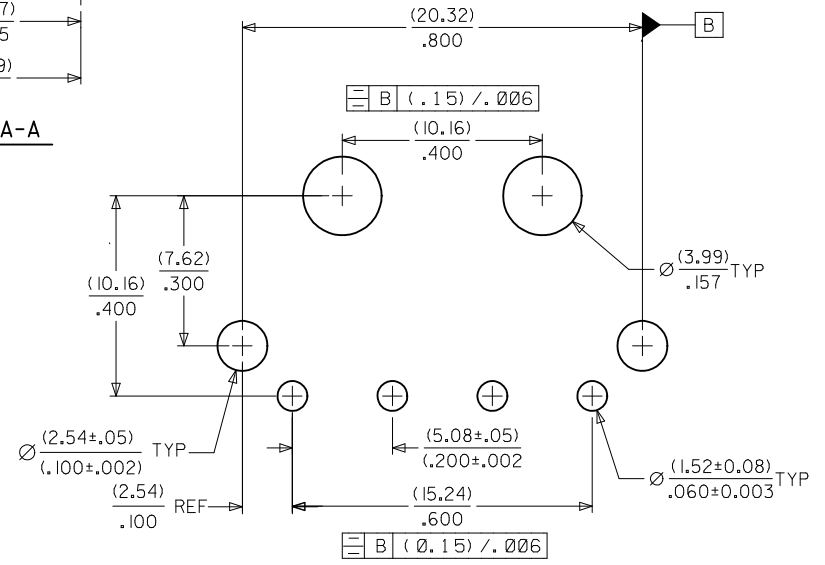


SECT A-A



- NOTES:
- MATERIAL
HOUSING - NYLON 6/6, UNFILLED, UL94V-2, COLOR: BEIGE
TERMINAL - PHOSPHOR BRONZE
PLATING - POSTPLATE(0.00254)/.000100 MIN.
TIN OVER (0.00127)/.000050 MIN.
NICKEL OVERALL.
 - PART INTENDED TO MATE WITH HOUSING 8981-4P AND TERMINAL 8980-3*
 - PRODUCT SPEC PS-8981-4V* APPLIES.



RECOMMENDED P.C. BOARD LAYOUT (TOL. +/- (.13)/.005)

MAT'L NO.	ENG. NO.	'L'
A-8981-4R-1-LF	15-24-4441	(3.56)/.140

ADD CKT INDICATION EC NO: S2009-0836 DRWN:SKANG CHKD:ATSEE APPR:MLONG	2009/05/08	2009/05/08	2009/05/11
	DESCRIPTION		
	REV		
	C2		

QUALITY SYMBOLS ▽=0 ◻=0	GENERAL TOLERANCES (UNLESS SPECIFIED)	
	mm	INCH
	4 PLACES	± --- ± ---
	3 PLACES	± --- ± .008
	2 PLACES	± 0.20 ± ---
	1 PLACE	± --- ± ---
	ANGULAR ± 3 °	
DRAFT WHERE APPLICABLE MUST REMAIN WITHIN DIMENSIONS		

DIMENSION STYLE		SCALE	DESIGN UNITS	THIRD ANGLE PROJECTION
MM/IN		NTS	INCH	
DRAWN BY	DATE	TITLE		
GRXIE	2001/05/02	HEADER, 4 CKTS RIGHT ANGLE MOUNT		
CHECKED BY	DATE	MOLEX INCORPORATED DOCUMENT NO. SD-8981-4R1		
KCL ING	2001/05/02			
APPROVED BY	DATE	SHEET NO. 1 OF 1		
SKTOH	2001/05/03			
MATERIAL NO.		SEE TABLE		

DRAWN BY		DATE	TITLE	
GRXIE		2001/05/02	HEADER, 4 CKTS RIGHT ANGLE MOUNT	
CHECKED BY		DATE	MOLEX INCORPORATED DOCUMENT NO. SD-8981-4R1	
KCL ING		2001/05/02		
APPROVED BY		DATE	SHEET NO. 1 OF 1	
SKTOH		2001/05/03		
MATERIAL NO.		SEE TABLE		