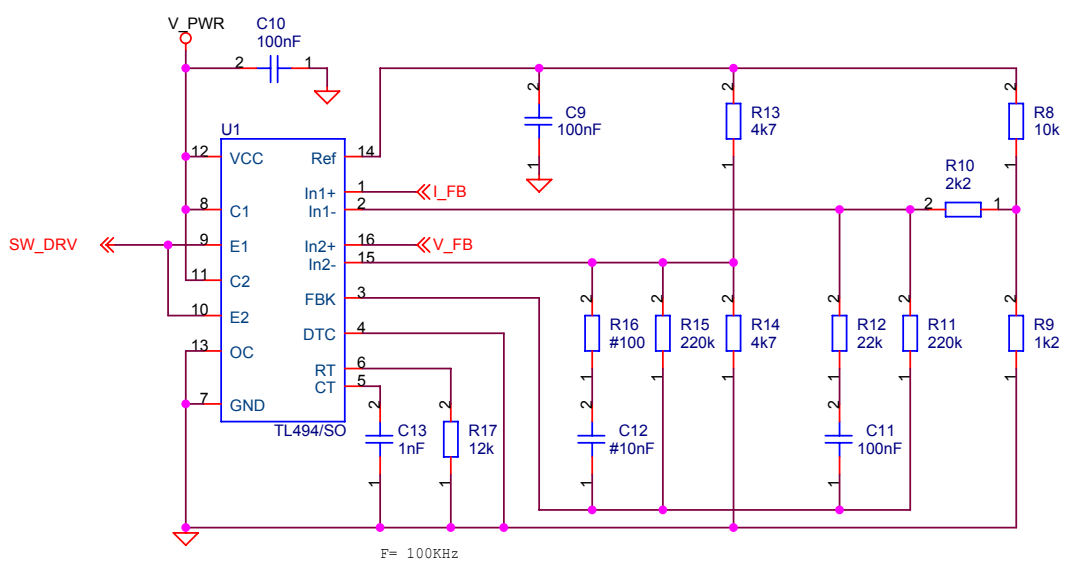
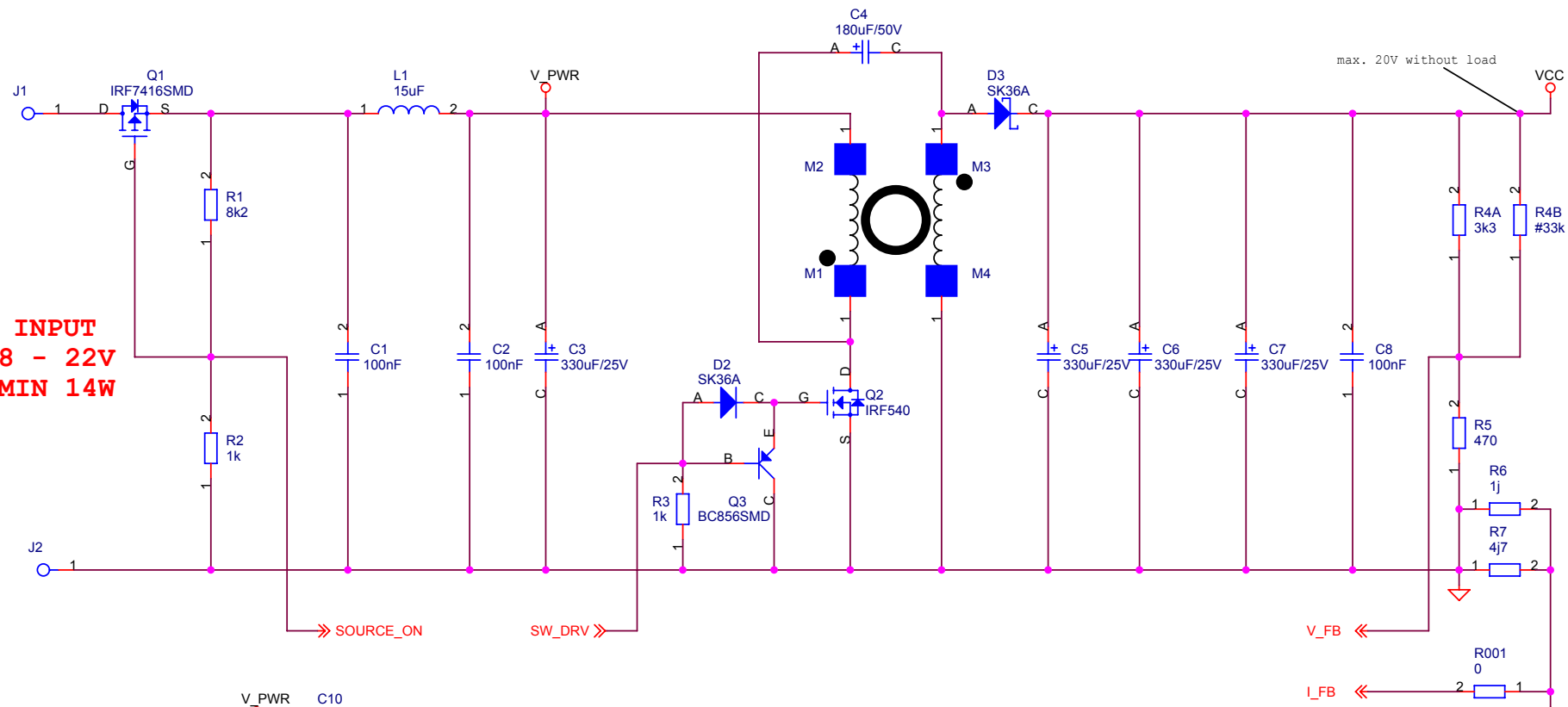
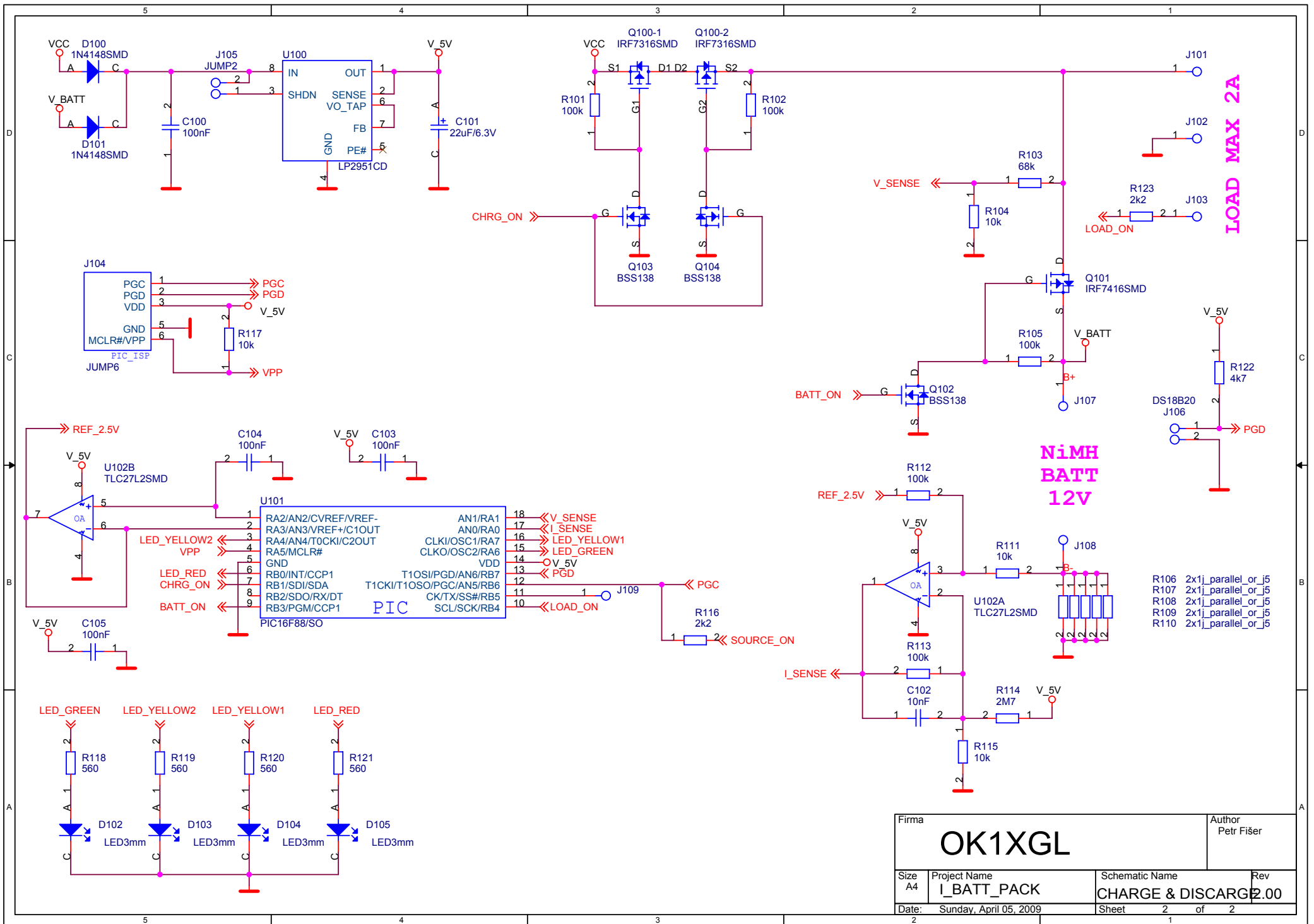


**INPUT
8 - 22V
MIN 14W**



Firma		Author	
OK1XGL		Petr Fišer	
Size	Project Name	Schematic Name	Rev
A4	I_BATT_PACK	Power Supply	2.00
Date:	Wednesday, June 25, 2008	Sheet	1 of 2
2		1	



Firma		Author	
OK1XGL		Petr Fišer	
Size	Project Name	Schematic Name	Rev
A4	I_BATT_PACK	CHARGE & DISCHARGE	2.00
Date:	Sunday, April 05, 2009	Sheet	2 of 2
	2		1