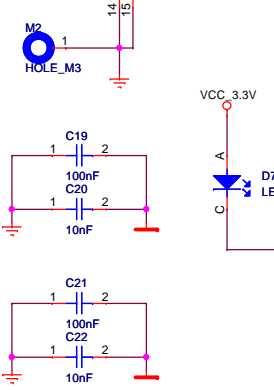
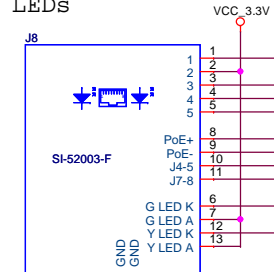
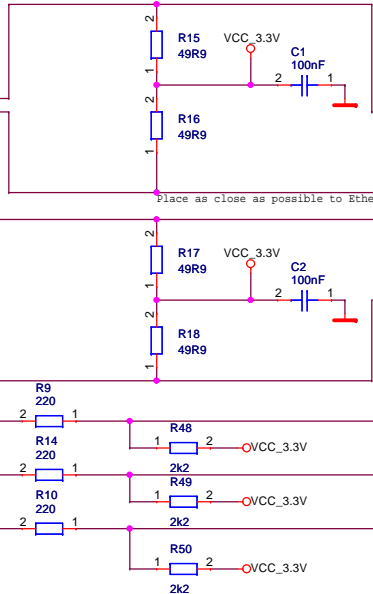


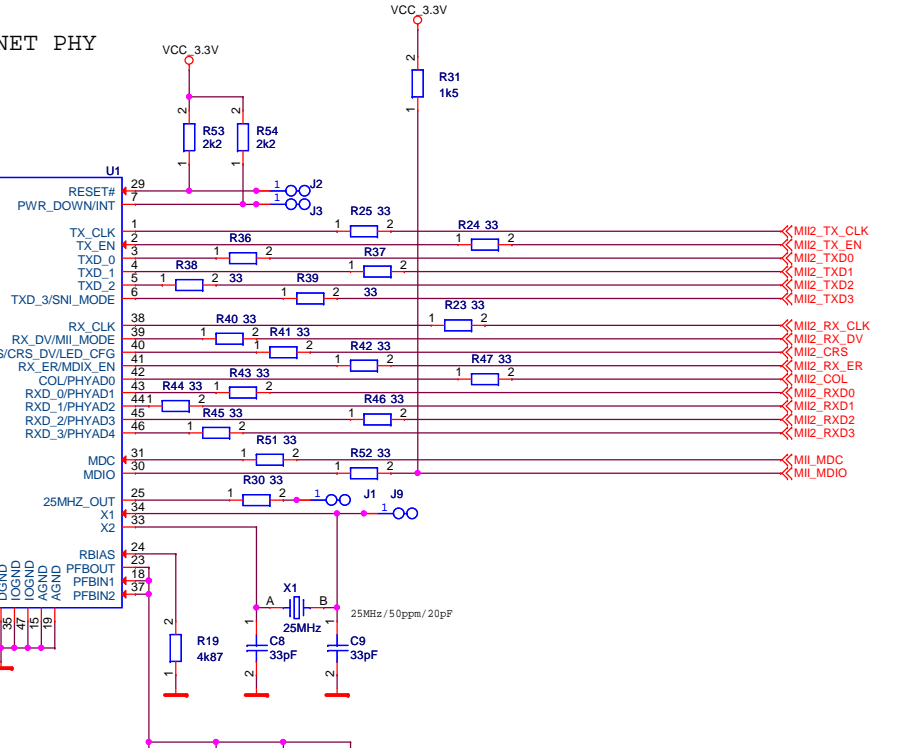
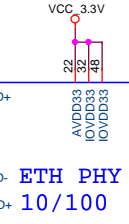
### ETHERNET connector with magnetics and LEDs

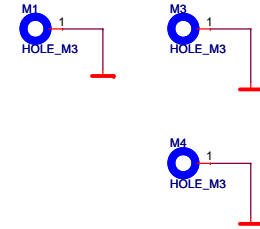
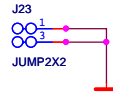
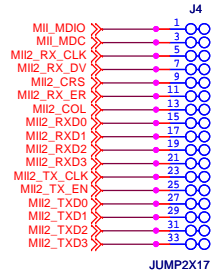
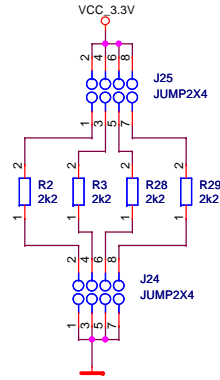
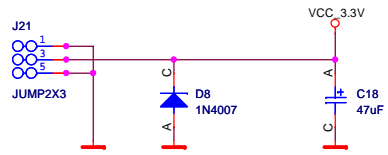


### ETHERNET Terminators

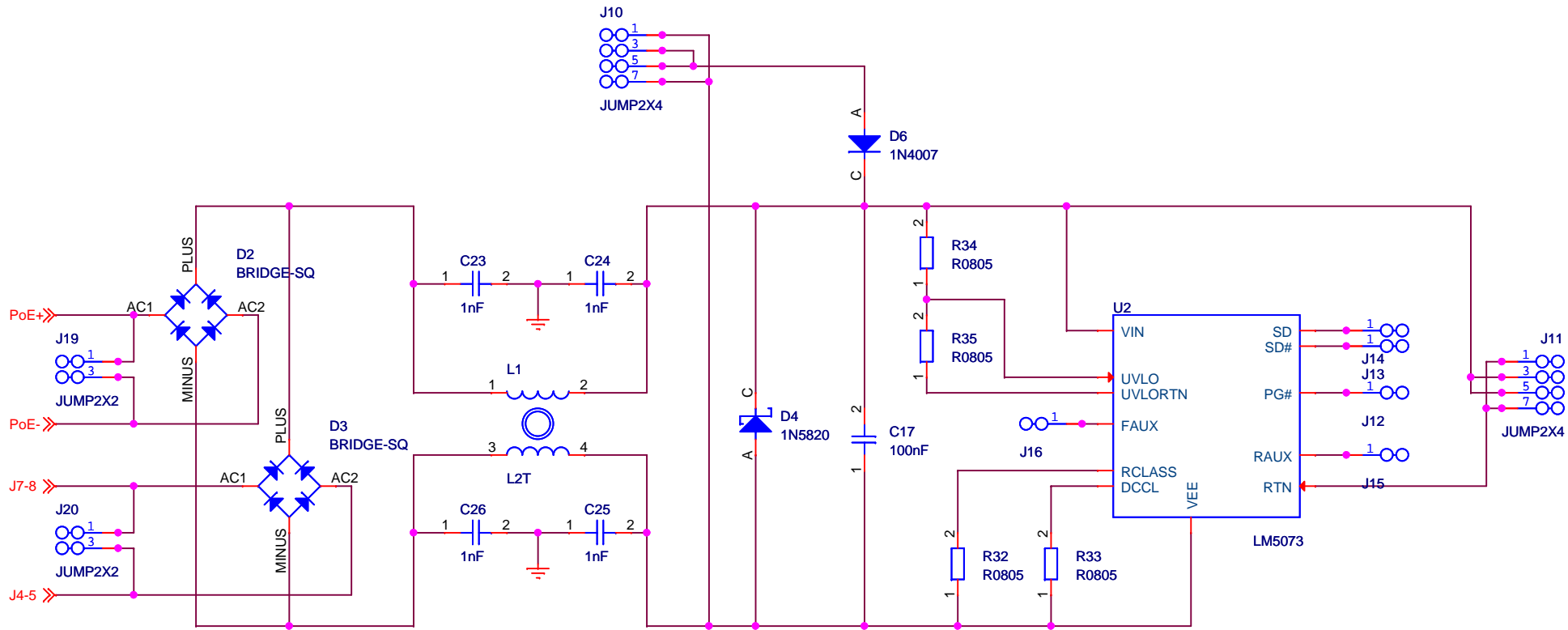


### ETHERNET PHY





Firma		Author	
MLAB		KAKLIK	
Size	Project Name	Schematic Name	Rev
A3	ETHERNET	ETH01	A
Date:	Wednesday, July 10, 2013	Sheet	1 of 1



Firma		<b>MLAB</b>		Author	Kaklik
Size	Project Name	Schematic Name		Rev	
A4	ETHERNET	POE		A	
Date:	Wednesday, July 10, 2013	Sheet	1	of	1