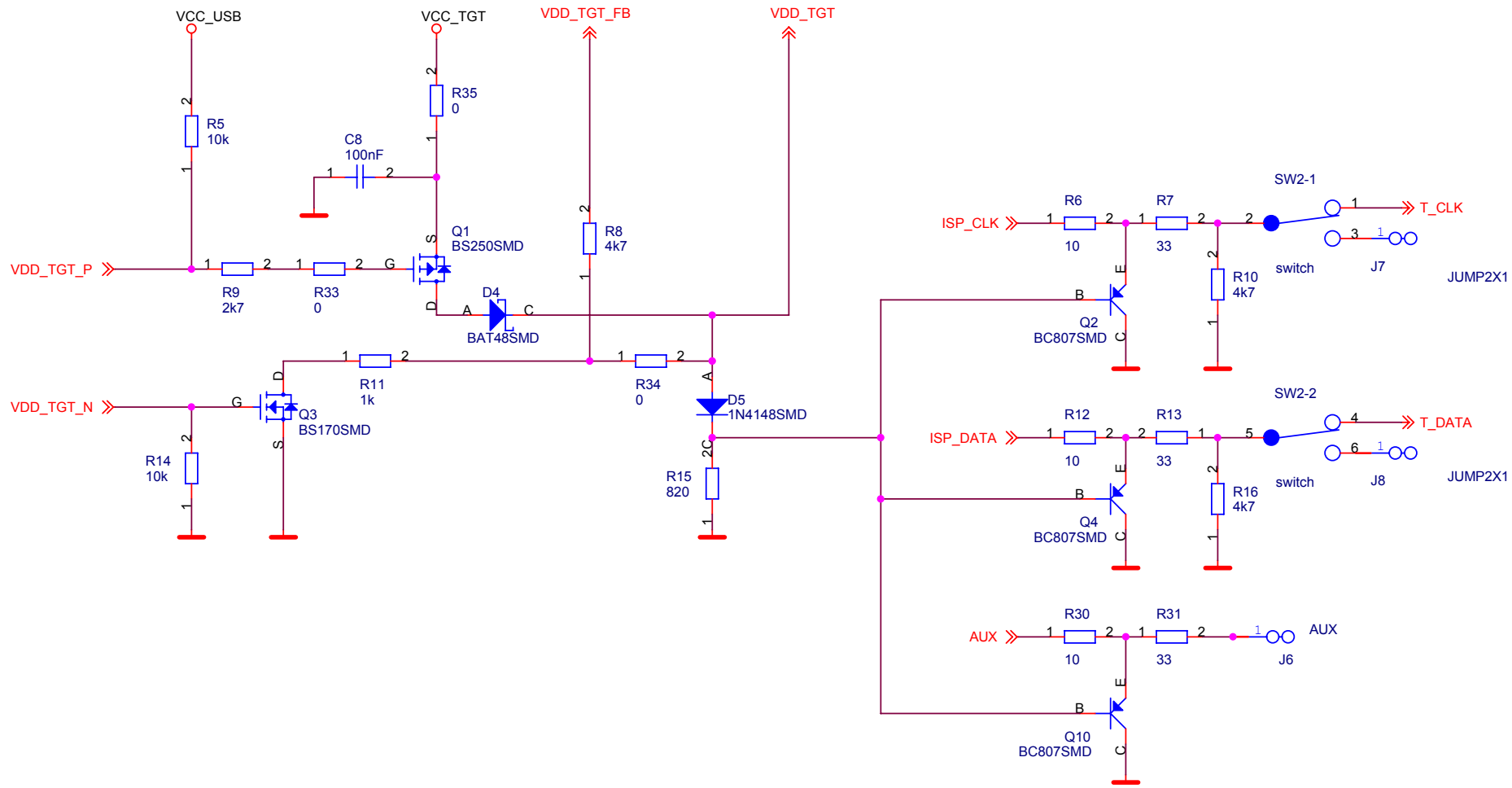


Firma		Author	
MLAB		MIJA	
Size	Project Name	Schematic Name	Rev
A4	MLAB	PICPROGUSB02A	1.01
Date:	Wednesday, March 11, 2009	Sheet	1 of 2



- ⊙ M5 FIDU
- ⊙ M6 FIDU
- ⊙ M7 FIDU_PASTE
- ⊙ M8 FIDU_PASTE

Firma		MLAB		Author	MJA
Size	Project Name	Schematic Name	Rev		
A4	MLAB	PICPROGUSB02A	1.01		
Date:	Wednesday, March 11, 2009	Sheet	2	of	2