

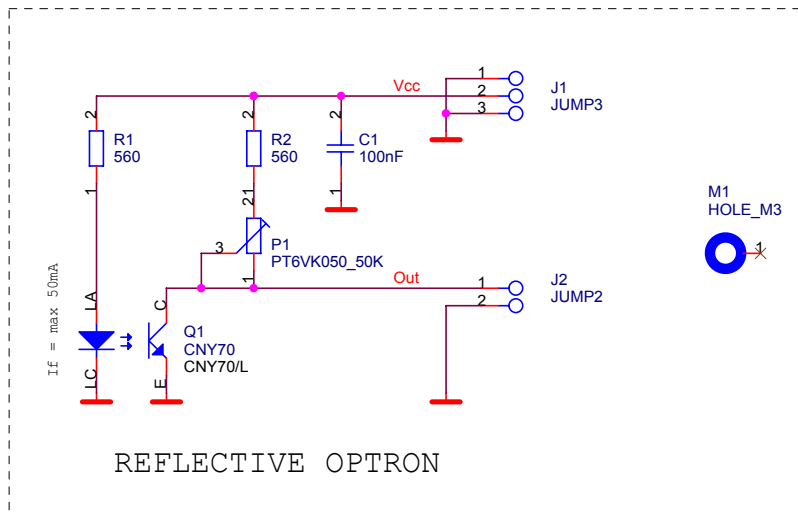
# R1S01A

Reflective One Chanell Simple Opto Sensor with CNY70

History

1.00 First Version

Firma		<b>MLAB</b>		Author		MIHO	
Size	Project Name	Schematic Name		Rev			
A4	MLAB	R1S01A		1,00			
Date:		Sunday, March 18, 2007		Sheet		1 of 2	
				2		1	



Firma <b>MLAB</b>		Author MIHO	
Size A4	Project Name MLAB	Schematic Name R1S01A	Rev 1.00
Date: Sunday, March 18, 2007	Sheet 2 of 2		