

Master's thesis



Czech  
Technical  
University  
in Prague

**F3**

Faculty of Electrical Engineering  
Department of Measurement

# Fast multi-channel data acquisition system for radio-astronomy receiver

**Jakub Kákona**  
Aircraft and Space Systems

June 2014

<http://petr.olsak.net/ctustyle.html>

Supervisor: Ing. Martin Matoušek, Ph.D.

Draft: 6. 5. 2014



## Acknowledgement / Declaration

Prohlašuji, že jsem předloženou práci vypracoval samostatně a že jsem uvedl veškeré použité informační zdroje v souladu s Metodickým pokynem o dodržování etických principů při přípravě vysokoškolských závěrečných prací.

V Praze dne 12. 5. 2014

.....

## Abstrakt / Abstract

**Klíčová slova:** Radioastronomie, digitalizace signálu, A/D konverze

**Překlad titulu:** Rychlý vícekanálový systém sběru dat pro radioastronomický přijímač

**Keywords:** ADC interface, radioastronomy, signal digitalisation

# Contents /

<b>1 Introduction</b> .....	1	5.1 Possible future improvements .	20
1.1 Current radioastronomy problems.....	1	<b>A Circuit diagram of ADCdu- al01A module</b> .....	21
1.2 Modern Radio astronomy receiver .....	2	<b>B Circuit diagram of FMC2DIFF module</b> .....	22
1.2.1 Observation types.....	2	<b>C Content of enclosed CD</b> .....	27
1.3 Required receiver parameters ...	3		
1.3.1 Sensitivity and noise number .....	3		
1.3.2 Dynamic range.....	3		
1.3.3 Bandwidth .....	3		
1.4 Current status of receivers digitalization units.....	4		
1.4.1 Custom digitalization system.....	4		
1.4.2 Modular digitalization systems .....	4		
<b>2 Trial design</b> .....	6		
2.1 Required parameters.....	6		
2.2 Sampling frequency .....	6		
2.3 System scalability.....	6		
2.3.1 Differential signaling.....	7		
2.3.2 Phase matching .....	7		
2.4 System description.....	7		
2.4.1 Frequency synthesis.....	7		
2.4.2 Signal cable connectors....	8		
2.4.3 Signal integrity re- quirements .....	8		
2.4.4 ADC modules design .....	8		
2.4.5 ADC selection.....	8		
2.4.6 ADC modules interface..	11		
2.4.7 Output data format .....	12		
2.5 Achieved parameters.....	12		
2.5.1 Data reading and recording .....	12		
2.5.2 ADC module parame- ters .....	12		
<b>3 Example of usage</b> .....	16		
3.1 Basic interferometer station ...	16		
<b>4 Proposed final system</b> .....	18		
4.1 Custom design of FPGA board .....	18		
4.2 Parralella board computer.....	18		
4.3 GPU based computational system .....	18		
<b>5 Conclusion</b> .....	20		

## Tables / Figures

<b>1.1.</b> Dynamic range versus bit depth .....	3
<b>2.1.</b> Available ADC types .....	10
<b>2.1.</b> Used miniSAS cable.....	9
<b>2.2.</b> Single line ADC output signals .....	10
<b>2.4.</b> VITA57 board geometry .....	12
<b>2.7.</b> ADC1 sine test FFT .....	14
<b>2.8.</b> ADC2 sine test FFT .....	15
<b>3.1.</b> Receiver block schematic .....	16
<b>3.2.</b> Meteor reflection .....	17
<b>3.3.</b> Phase difference .....	17
<b>4.1.</b> NVIDIA Jetson TK1 Development Kit .....	19

# Chapter 1

## Introduction

### 1.1 Current radioastronomy problems

From a radioastronomer's point of view it is important that radioastronomy focuses its interest primarily on natural signals originating in the surrounding universe. It does not pay much attention to the man-made signals created by our civilisation.

However, it is due to these artificial signals, that the current radioastronomy faces a disturbing problem. The problem arises from the fact, that there are so many terrestrial transmitters currently active and all of them are sources of a dense signal mixture which can cause trouble not only to radioastronomers.

As a consequence, there already exist effort to control the radiofrequency spectrum. As result of attempts to control the radiofrequency spectrum, the frequency allocation table was created. <sup>1)</sup> Radio-frequency allocation table table contains special bands allocated to radioastronomy use. However, for many reasons these bands are not clean enough to be used directly in radioastronomy observations. As a result, we cannot work in the same way as had the radioastronomers in the very beginnings of radioastronomy. Many experiments, namely Cosmic microwave background detection or pulsar detection, cannot be nowadays realised in their original forms with satisfactory results.

Supporting evidence of such effect is RadioJOVE project. NASA engineers who originally created the RadioJOVE project had a great idea. The RadioJOVE project brought an opportunity for creating a publicly available, cheap radioastronomy receiver. However, they used an old-fashioned construction design which, on one hand, can operate in harsh environments like deserts, but on the other it simply did not meet the criteria that would make it possible to be used in modern civilisation, as we know it in Europe. The source of its dysfunction is a presence of strong radiofrequency interferences. These interferences are orders of magnitude stronger than Jupiter decametric emissions, whose detection was the main aim of the RadioJOVE project. From what we have already seen in the light pollution mitigation pursuit, there is only a small chance to radically improve the situation in radiofrequency spectrum.

The only way to overcome this problem is to search for new methods of radioastronomy observations. New methods which allows us to work without completely clear radiofrequency bands and which allow us to see the surrounding universe even despite the existence of man-made radiofrequency interference mixture. One solution is to use already known natural radio frequency signals parameters. Natural signals usually have different signal properties than local interference. Natural objects do not have problems with transmission in bandwidths of tens of megahertz in sub 100 MHz bands. These objects are usually far away and the same signal could be received at almost half of the Earth globe without any significant differences. On the other hand, it is obvious that signals with such parameters have some drawbacks, namely in the reception power. The

---

<sup>1)</sup> [http://www.ukaranet.org.uk/basics/frequency\\_allocation.htm](http://www.ukaranet.org.uk/basics/frequency_allocation.htm)

reception power of radioastronomical object is  $1e9$  smaller than signal power received from a typical broadband radio transmitter.

From the above mentioned facts concerning the natural radio signals we can conclude that modern requirements imposed on a radioastronomy receiver are completely different from the requirements existing back in the history. Radioastronomy is no longer limited by an access to electronic components, today it is rather limited by the everywhere presence of electronic.

## ■ 1.2 Modern Radio astronomy receiver

In the beginnings of radioastronomy, the receivers were constructed as simple stations with single antenna or multi antenna array with fixed phasing. This approach was used because of the existing limits of electronic components and technologies. The main challenges of those times were the problem of noise number and low sensitivity, both present due to the poor characteristics of active electronic components such as transistors and vacuum tubes.

Most of the present-day operating radioastronomy equipment has been constructed in similar manner. It was produced usually shortly after the WWII or during The Cold War as a part of military technology.

Today we have an access to components having quality, repeatability and price completely different from the components accessible by previous generation of radioastronomers. That is why we can develop better radioastronomical equipment, powerful enough to make new astronomical discoveries possible.<sup>1)</sup>

We have the capacities necessary to develop a receiver which will have wide bandwidth, high Third-order intercept point and preferably an option for phase and frequency locking to other receivers located at another radioastronomical site at Earth. Currently there exist several receivers with the above-mentioned parameters, for example USRP2, USRP B210 or HackRF and all are commercially available. However all of them lack scalability and have high prices. It is exactly the scalability and redundancy that are the main requirements of noise reduction algorithms.

New radio astronomy systems such LOFAR are explicit examples of the scalability and redundancy approach. LOFAR has completely different and novel structure developed to solve the problems of radioastronomy signal reception. It exclusively uses multi antenna arrays and mathematical algorithms for signal handling. Radio signals recorded by LOFAR can be used in multiple ways: radio images can be computed (if sufficient cover of  $u/v$  plane is achieved), radiation intensity can be measured, spectrum can be analysed for velocity measurement, etc.

### ■ 1.2.1 Observation types

Current radioastronomy knows several types of observations.

- Spectral observations
- Intensity observations
- Velocity observations

All of them prefer high frequency resolution and stability. Wide observation bandwidth in hundreds of MHz is usually desirable for easier differentiation of source types.

---

<sup>1)</sup> Most of astronomy-related discoveries in the last fifty years came from radioastronomy.



## 1.3 Required receiver parameters

The novel approach of receiver construction described above goes hand-in-hand with new requirements on receiver parameters as well. Currently no additional attempts to improve the signal-to-noise ratio on single antenna are performed. There are however other parameters requested nowadays.

### 1.3.1 Sensitivity and noise number

Sensitivity and noise number are parameters that are tied together, but multi antenna and multi-receiver arrays force the price of receiver to be kept at minimal value. This implies that the sensitivity and noise number have to be at least so good in the detection (signal /noise  $\geq 1$ ) of an observed object, that it would be detected on the majority of receivers connected to an observation network.

### 1.3.2 Dynamic range

Dynamic range represents a huge problem of current radioastronomical receivers. This parameter is enforced by everywhere present humans made EMI radiation on RF frequencies. The modern radio astronomy receiver must not be saturated by this high levels of signals but still needs to have enough sensitivity to see faint signals from natural sources. Dynamic range is limited either by the construction of analogue circuitry in receiver or by the digitalisation unit. The maximal theoretical dynamic range of ADC could be estimated from ADC bit depth using a following formula ??

$$D.R.(dB) = 20 * \log(2^n)$$

The formula ?? gives values shown in table below 1.1.

ADC Bits	Dynamic range [dB]
8	48
10	60
12	72
14	84
16	96
24	144

[ADC-dynamic-range]

**Table 1.1.** Standard bit depths of ADC and its theoretical dynamic range.

If we look at actual spectrum occupancy in Europe (measured in power spectral density) we see that signal dynamic range in spectra <http://observatory.microsoftspectrum.com> easily reaches more than 80 dB above natural noise levels. If we don't want to deal with receiver saturation or poor sensitivity we need a receiver and digitalization unit which has comparable dynamical range of with received signals. This imply use of least 14 bit ADC without any spare of range.

### 1.3.3 Bandwidth

Historically, the parameter of bandwidth in radioastronomical receiver used to be within the kilohertz range. Small bandwidth was acceptable because observations were processed directly by listening or by paper chart intensity recorder. Chart recorder integrated energy of signal over defined small bandwidth which was suitable for detecting the intensity variance of microwave background. No wide-band transmitters existed

in that era (except for TV transmitters) and tuning to other neighbouring frequency was easy as they were mostly vacant. Parallel observations from several places were unnecessary as well because the electromagnetic conditions were nearly same at all locations.

## 1.4 Current status of receivers digitalization units

Only few digitalization systems dedicated for radioastronomy currently exists. Currently existing systems uses either custom design of whole receiver or they are constructed from commercially available components. Open-source principle attempts are very rare in radioastronomy field.

### 1.4.1 Custom digitalization system

Custom designs usually uses non-recurring engineering for development specific solution for observation project thus costs of this instruments are very high if developed instrument are not reproduced many times. Typical example of instrument developed and manufactured in one piece with enormous founding resources draws is Arecibo ALFA survey multi beam feed Array. Another opposite example for custom receiver and digitalization unit design is LOFAR system developed by Astron in Netherlands. <http://arxiv.org/abs/1305.3550>

LOFAR is innovative radioastronomy system which uses the phased antenna array approach in enormous scale and thousands (around  $2 * 10^4$ ) of antennas are manufactured and deployed on field. The centre of LOFAR system is situated in Netherlands and peripheral antennas and connection network are extended to other European countries.

LOFAR project must use low cost hardware due to systems scale. Special construction techniques are used to keep overall project budget at acceptable levels (specially designed polystyrene supporting blocks for HBA antennas for example). Many of used components are manufactured in mass scale for other than scientific use LBA antennas masts are made from standard PVC plastic waste pipes and LOFAR uses low cost direct sampling receiver. Whole project has been designed by Netherlands Institute for Radio Astronomy, which produces many similarly sophisticated devices. [http://www.astron.nl/other/desp/competences\\_DesApp.htm](http://www.astron.nl/other/desp/competences_DesApp.htm)

### 1.4.2 Modular digitalization systems

Due to cost restrictions in science and astronomy instruments development, an reuse of engineering work should be useful. One modular digitalization and data processing system currently exist. It is being developed at Berkeley [https://casper.berkeley.edu/wiki/Main\\_Page](https://casper.berkeley.edu/wiki/Main_Page). CASPER is in development from around 2005. CASPER's designers and engineers remarkably noticed a lack of such hardware in radioastronomy science, their ideas are summarised in paper <https://casper.berkeley.edu/papers/200509URSI.pdf>. Unfortunately they use proprietary connector standard and technology and develops modular system based purely on Tyco Z-DOK+ connectors family. Z-DOK connectors have relatively high pricing (around 40 USD) <http://www.digikey.com/product-detail/en/6367550-5/6367550-5-ND/2259130>. Z-DOK connectors are high quality differential pairs connectors, but price of these connectors is comparable with value of one ADC channel in our design described in following part of document.

In opposite to professional astronomers which uses proprietary digitalization units, amateur radioastronomers currently uses multichannel sound cards <http://fringes.org/> or self designed digitalisation units. Devices constructed by amateurs are usually

non reproducible <http://wwhome.cs.utwente.nl/~ptdeboer/ham/sdr/> . It is evident that current radioastronomy lacks of proper hardware which could be used on both communities - professionals and amateurs. Optimal solution for this situation should be open-source hardware.

# Chapter 2

## Trial design

The whole design of radioastronomy receiver digitalization unit is constructed to be used in a wide range of applications and tasks related to digitalization of signal from radioastronomy receivers. A good illustrating problem for its use is a signal digitalisation from multiple antenna arrays. This design will eventually become a part of MLAB Advanced Radio Astronomy System.

### 2.1 Required parameters

Wide dynamical range and high IP3 are desired. The receiver must accept wide dynamic signals because a typical radioastronomical signal has a form of a weak signal covered by a strong man-made noise.

Summary of main required parameters follows

- Dynamical range better than 80 dB
- Phase stability between channels
- Noise (all types)
- Sampling jitter better than 100 metres
- Support for any number of receivers in range 1 to 8

### 2.2 Sampling frequency

Sampling frequency is limited by the technical constrains in the trial design. This parameter is especially limited by the sampling frequencies of analog-to-digital conversion chips available on the market and interface bandwidth. Combination of the required parameters – dynamic range requiring at least 16bit and a minimum sampling frequency of 1 MSPS leads to need of high end ADC chips which does not support such low sampling frequencies at all. Their minimum sampling frequency is 5 MSPS.

We calculate minimum data bandwidth data rate for eight receivers, 2 bytes per sample and 5MSPS as  $8 * 2 * 5e6 = 80$  MB/s. Such data rate is at the limit of real writing speed o classical HDD and it is almost double of real bandwidth of USB 2.0 interface.

### 2.3 System scalability

For analogue channels scalability, special parameters of ADC modules are required. Ideally, there should be a separate output for each analogue channel in ADC module. ADC module must also have separate outputs for frames and data output clocks. These parameters allow for conduction at relatively low digital data rates. As a result, the digital signal can be conducted even through long wires.

Clock signal will be handled distinctively in our scalable design. Selected ADC chip are guaranteed to have defined clock skew between sampling and data output clock.

This allows taking data and frame clocks from the first ADC module only. The rest of the data and frame clocks from other ADC modules can be measured for diagnostic purposes (failure detection, jitter measurement etc.).

This system concept allows for scalability, that is technically limited by a number of differential signals on host side and its computational power. There is another advantage of scalable data acquisition system – an economic one. Observatories or end users can make a choice of how much money are they willing to spent on radioastronomy receiver system. This freedom of choice is especially useful for science sites without previous experience in radioastronomy observations.

### ■ 2.3.1 Differential signaling

The concept of scalable design requires relatively long circuit traces between ADC and digital unit which captures the data and performs the computations. The long distance between the digital processing unit and the analog-to-digital conversion unit has an advantage in noise retention typically produced by digital circuits. Those digital circuits, such as FPGA or other flip-flops block and circuit traces, usually work at high frequencies and emit wide-band noise with relatively low power. In such cases any increase in a distance between the noise source and analog signal source increase S/N significantly. However, at the same time a long distance brings problems with the digital signal transmission between ADC and computational unit. This obstacle should be resolved more easily in free-space than on board routing. The high-quality differential signalling shielded cables should be used. This technology has two advantages over PCB signal routing. First, it can use twisted pair of wires for leak inductance suppression in signal path and second, the twisted pair may additionally be shielded by uninterrupted metal foil.

### ■ 2.3.2 Phase matching

For multiple antenna radioastronomy projects, system phase stability is a mandatory condition. It allows precise high resolution imaging of objects.

High phase stability in our scalable design is achieved through centralized frequency generation and distribution with multi-output LVPECL hubs, that have equiphased outputs for multiple devices.

This design ensures that all devices have access to the defined phase and known frequency.

## ■ 2.4 System description

In this section testing system will be described.

### ■ 2.4.1 Frequency synthesis

We have used a centralized topology as a basis for frequency synthesis. One precise high-frequency and low-jitter digital oscillator has been used, while other working frequencies have been derived from it by the division of its signal. This central oscillator has a software defined GPS disciplined control loop for frequency stabilization.<sup>1)</sup> We have used methods of frequency monitoring compensation in order to meet modern

<sup>1)</sup> <http://wiki.mlab.cz/doku.php?id=en:gpsdo> SDGPSDO design has been developed in parallel to this diploma thesis as a related project, but it is not explicitly required by the diploma thesis.

requirements on radioastronomy equipment which needs precise frequency and phase stability over a wide scale for effective radioastronomy imaging.

Every ADC module will be directly connected to CLKHUB02A module which takes sampling clock signal delivered by FPGA from main local oscillator. This signal should use high quality differential signaling cable – we should use SATA cable for this purpose.

GPSDO design included in data acquisition system has special feature – generates time marks for precise time-stamping of received signal. Timestamps are created by disabling of local oscillator for 100 us as result rectangle click in input signal is created which appears as horizontal line in spectrogram. Timestamps should be seen in image 3.2 (above and below meteor reflection).

Time-marking should be improved in future by digitalisation GPS signal directly with dedicated ADC channel. Datafile then consists samples from channels of radio-astronomy receivers along with GPS signal containing precise time information.

### ■ 2.4.2 Signal cable connectors

Several widely used and commercially easily accessible differential connectors were considered to be use in our design.

- HDMI
- SATA
- DisplayPort
- SAS/miniSAS

At the end, MiniSAS connector was chosen as the best option to be used in connecting together multiple ADC modules. It is compatible with existing SATA cabling systems and aggregates multiple SATA cables to a single connector. It can be seen on the following picture 2.1. A transition between SATA and miniSAS is achieved by SAS to SATA adapter cable which is commonly used in servers to connect SAS controller to multiple SATA hard disc in RAID systems and thus is commercially easily available. The main drawback of miniSAS PCB connectors lies in the fact, that they are manufactured in SMT versions only. The outer metal housing of connector is designed to be mounted using a standard through-hole mounting scheme, a design that unfortunately decreases the durability of the connector.

### ■ 2.4.3 Signal integrity requirements

We use ADC modules that have DATA clock frequency eight times higher than sampling frequency in single line output mode, implying a 40 MHz output bit rate. This imply  $1/4 * 10^7 = 25$  ns time length of data bit, which is equivalent to 7.5m light path in free space. If we use copper PCB with FR4 substrate layer or coaxial/twinax cable, we could obtain velocity factor of 0.66 at worst condition. Then the light path for the same bit rate will be 4.95 m. Although we do not have any cables in system with comparable lengths, worst data bit skew described by data sheets of used components is  $0.3 * \text{samplertime}$  time which is 1.485 m. Therefore length matching is not critical in our design.

[diff-signaling]

### ■ 2.4.4 ADC modules design

### ■ 2.4.5 ADC selection

There exist several ADC signaling formats currently used in communication with FPGA.



[img-miniSAS-cable]

**Figure 2.1.** A type of miniSAS cable similar to used.

- DDR LVDS
- JEDEC 204B
- JESD204A
- Paralel LVDS
- Serdes
- serial LVDS

Because it uses the smallest number of differential pairs, the choice fell on the serial LVDS format. Small number of differential pairs is an important parameter determining the construction complexity and reliability. <http://www.ti.com/lit/pdf/snua110>

An ultrasound AFE chip seems to be ideal for this purpose – the chip has integrated both front-end amplifiers and filters. It has a drawback though - it is incapable of handling differential input signal and has a relatively low dynamic range (as it consists only of 12bit ADC). Because this IO has many ADC channels the scaling is possible only by a factor of 4 receivers (making 8 analogue channels).

If we require a separate output for every analogue channel and a 16bit depth we find that there are only a few 2-Channel simultaneous sampling ADCs currently existing which meet these requirements. We have summarized the ADCs in the following table ??

All parts in this category are compatible with one board layout. Main differences lay in the sampling frequency and signal to noise ratio, with the slowest having a maximum sampling frequency of 20 MHz. However all of them have a minimal sampling frequency of 5 MSPS and all are configurable over a serial interface (SPI). SPI seems to be a standard interface used in high-end ADC chips made by the largest manufacturers (Analog Devices, Linear technology, Texas instruments, Maxim integrated..).

The ADC modules have a standard MLAB construction scheme with four mounting holes in corners aligned in defined raster.



## 2. Trial design

ADC Type	LTC2271	LTC2190	LTC2191	LTC2192	LTC2193	LTC2194	LTC2195
SNR [dB]	84.1	77	77	77	76.8	76.8	76.8
SFDR [dB]	99	90	90	90	90	90	90
S/H Bandwidth [MHz]	200				550		
Sampling rate [MSPS]	20	25	40	65	80	105	125
Configuration				SPI			
Package	[ADC-types]	52-Lead	(7mm	■	8mm)		QFN

**Table 2.1.** The summary of available ADC types and their characteristics.

Data serial data outputs of ADC modules should be connected directly to FPGAs for the basic primary signal processing. The ADC chip used in the modules has a selectable bit width of data output bus and thus the output SATA connectors have signals arranged to contain a single bit from every ADC channel. This creates a signal concept enabling a selection of a proper bus bit-width according to the sampling rate (higher bus bit-width downgrades signalling speed and vice versa.)

In order to connect the above mentioned signalling layout, miniSAS to multiple SATA cable should be used.

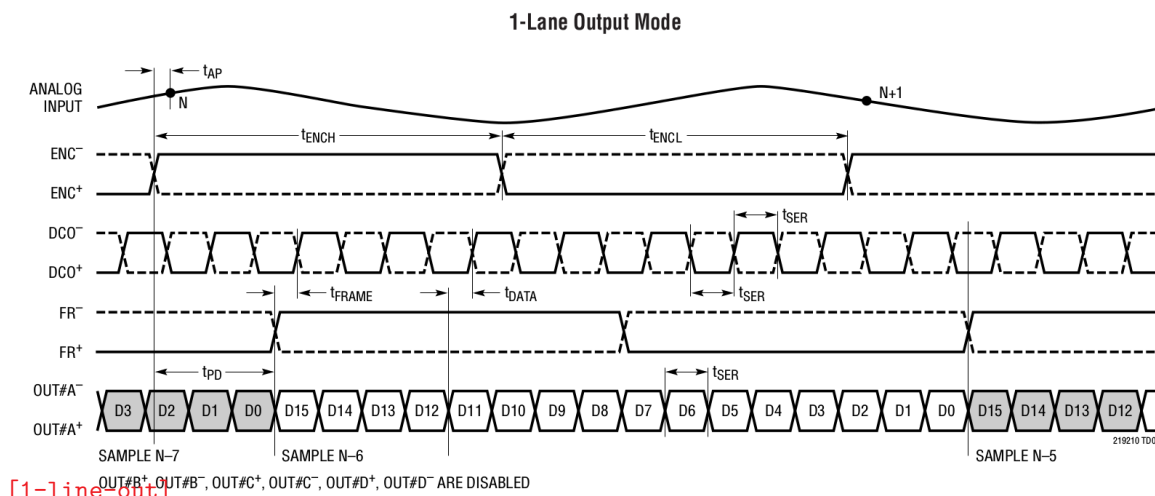
A KiCAD design suite had been chosen for PCB layout. However, the version is, despite having integrated CERN Push & Shove routing capability, slightly unstable as it sometimes crashes due to an exception during routing. On the basis of these stability issues, the design had to be saved quite often. On the other hand, compared to commercially available solutions, such as MentorGraphics PADS or Cadence Orcad, the Open-source KiCAD provides an acceptable option and it easily surpasses a widely used Eagle software.

As a part of work on the thesis, new PCB footprints for FMC, SATA a and miniSAS connectors have been designed and were committed to KiCAD github library repository. They are now publicly available on the official KiCAD repository at GitHub.

ADCdual01A module has several digital data output formats

- 1-lane mode

All of these modes are supported by module design. For discussed data acquisition system the 1-lane mode was selected. 1-lane mode allows minimal number of differential pairs between ADCdual01A and FPGA. Digital signaling scheme used in 1-lane mode is shown in image 2.2.



**Figure 2.2.** Digital signaling shema for 1-line ADC digital output mode.



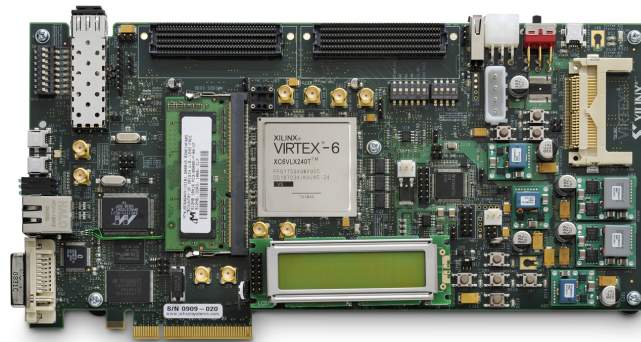
ADCdual01A parameters can be set either by jumper setup (referred as parallel programming in device's data sheet) or by SPI interface. SPI interface has been selected for our system, because parallel programming lacks of options (test pattern output setup for example).

Complete schematic diagram of ADCdual01A module board is included in the appendix.

#### ■ 2.4.6 ADC modules interface

Both of the ADCdual01A modules were connected to FPGA ML605 board through FMC2DIFF01A adapter board. The design of this adapter module expects the presence of FMC LPC connector and the board is, at the same time, not compatible with MLAB. It is, on the other hand, designed to meet the VITA 57 standard specifications for boards which support region 1 and region 3. VITA 57 regions are explained in the picture 2.4. This industry standard guarantees the compatibility with other FPGA boards that have FMC LPC connectors for Mezzanine Card. Schematic diagram of designed adapter board is included in the appendix.

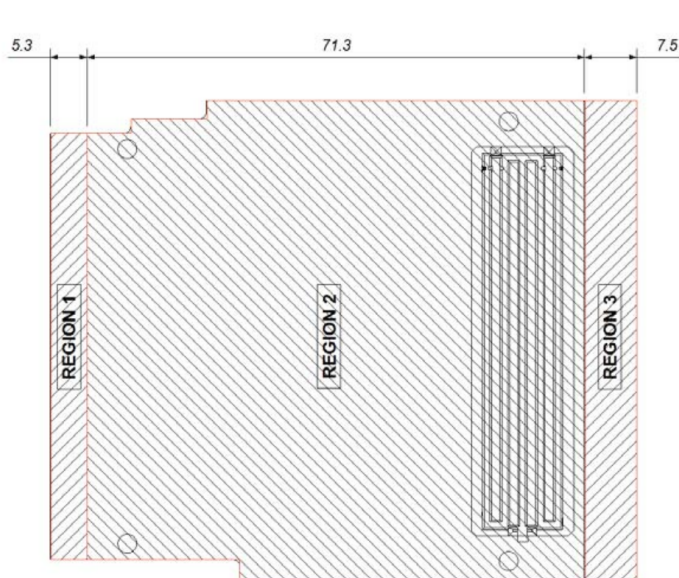
The primary purpose of the PCB is to enable the connection of ADC modules located outside the PC case. (In PC box analog circuits cannot be realised without the use of massive RFI mitigation techniques). Differential signalling connectors should be used for conducting digital signal over relatively long cables. The signal integrity sensitive links (clocks) are equipped with output driver and translator to LVPECL logic for better signal transmission quality.



**Figure 2.3.** FPGA ML605 development board.

Several SATA connectors and two miniSAS connectors are populated on this board. This set of connectors allows a connection of any number of ADC modules within the range of 1 to 8. ADC data outputs should be connected to the miniSAS connectors, while other supporting signals should be routed directly to SATA connectors on adapter.

Lengths of differential pairs routed on PCB of module are not matched between pairs. Length variation of differential pairs is not critical in our design according to facts discussed in paragraph 2.4.4. Nevertheless signals within differential pairs itself are matched for length. Internal signal traces length mating of differential pairs is mandatory in order to avoid dynamic logic hazard conditions on digital signals. Thus clocks signals are routed most precisely on all designed boards.



[VITA57-regions]

Figure 2.4. Definition of VITA57 regions.

Signal configuration used in our trial design is described in the following tables.

### 2.4.7 Output data format

	160bit packet									
Data name	FRAME	ADC1 CH1	ADC1 CH2	ADC2 CH1	ADC2 CH2	ADC2 CH2	ADC2 CH2	ADC2 CH2	ADC2 CH2	ADC2 CH2
Data type	uint32	int16	int16	int16	int16	int16	int16	int16	int16	int16
Content	saw signal	$t_1$	$t_{1+1}$	$t_1$	$t_{1+1}$	$t_1$	$t_{1+1}$	$t_1$	$t_{1+1}$	$t_{1+1}$

Table 2.2. System device /dev/xillybus\_data2\_r data format

## 2.5 Achieved parameters

### 2.5.1 Data reading and recording

We use Gnuradio software to read the data stream from the ADC drive. Gnuradio suite consist of gnuradio-companion which is a graphical tool for creating signal-flow graphs and generating flow-graph source code. This tool was used to create a basic RAW data grabber to record and interactively view the data stream output from ADC modules.

Interactive grabber viewer user interface shows live oscilloscope-like time-value display for all data channels and live time-frequency scrolling display (a waterfall view) for displaying the frequency components of the grabbed signal.

### 2.5.2 ADC module parameters

Two pieces of ADC modules were completed and tested. The first piece, labeled ADC1, has LTC2190 ADC chip populated with LT6600-5 front-end operational amplifier. It also has a 1kOhm resistors populated on inputs which gives it an ability of an internal attenuation of input signal. The value of this attenuation  $A$  is described by the following formula ??

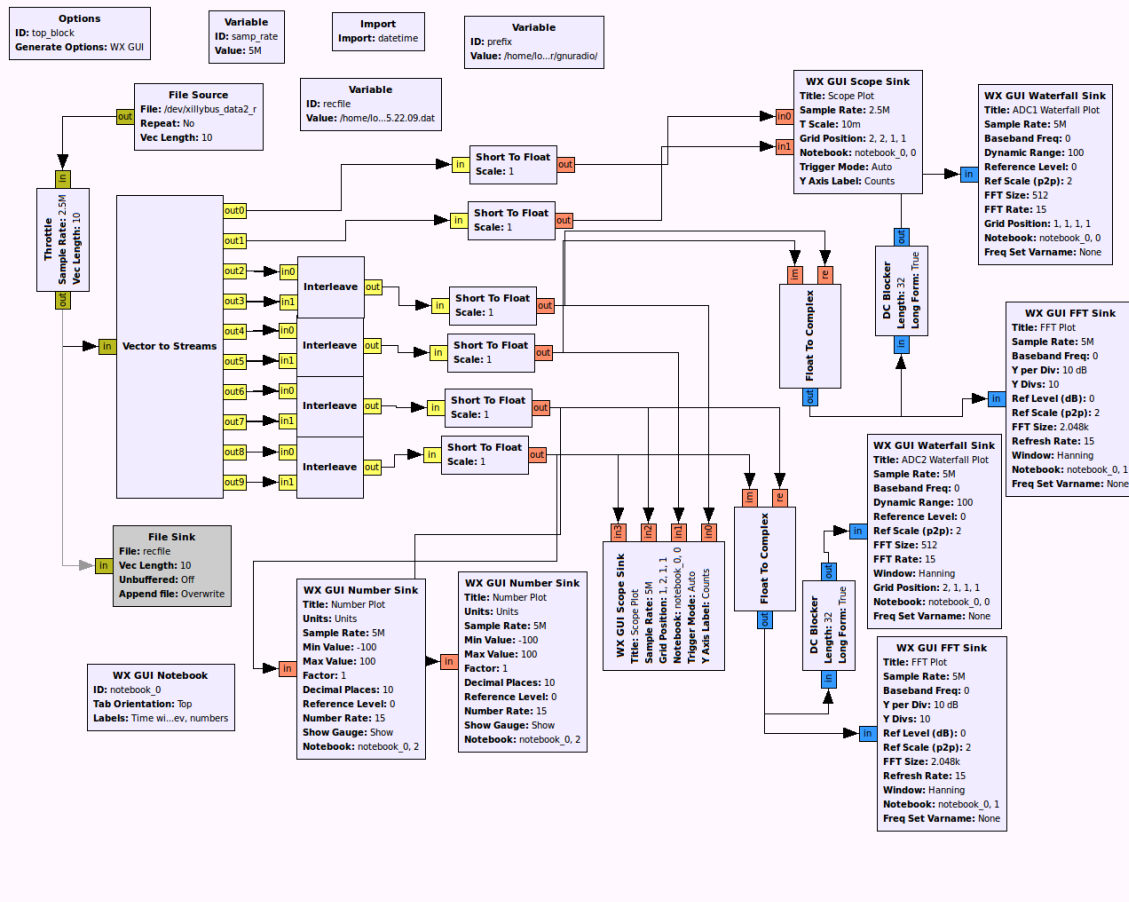


Figure 2.5. An ADC recorder flow graph created in gnuradio-companion.

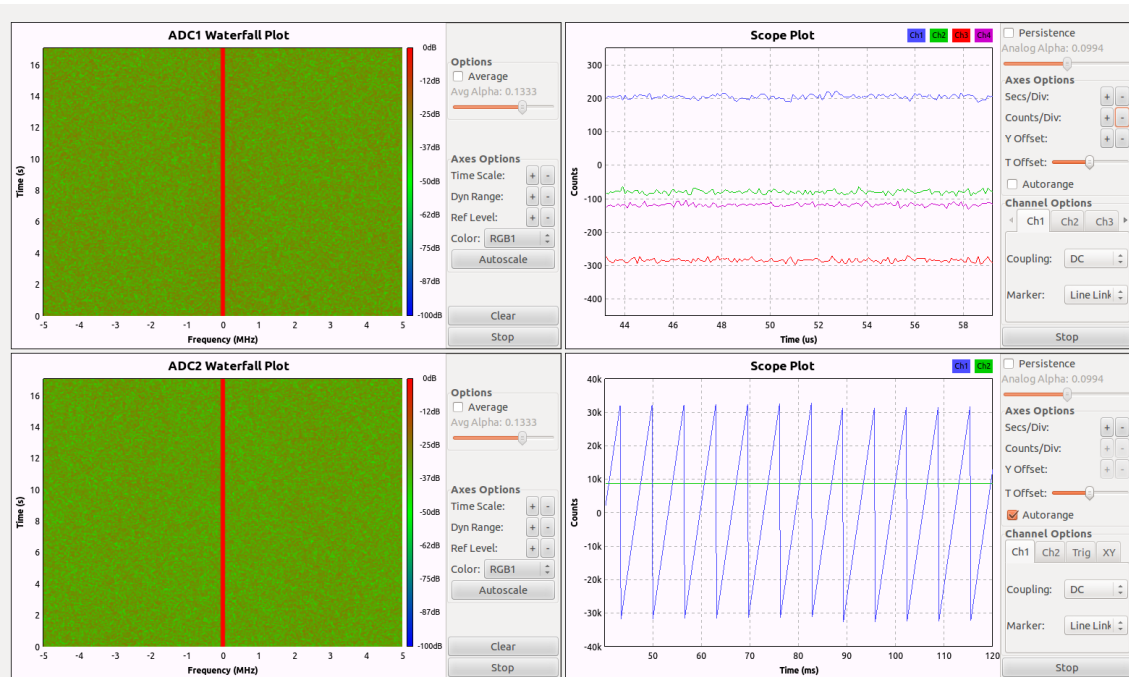


Figure 2.6. User interface window of a running ADC grabber.

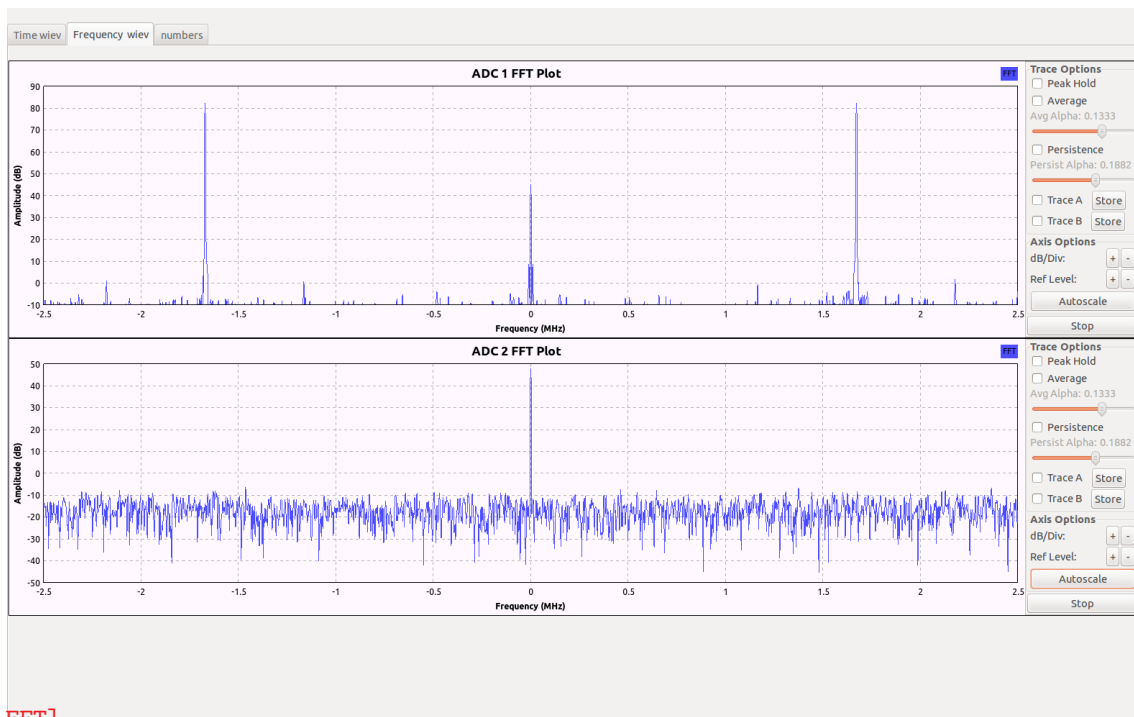
## 2. Trial design

$$A = \frac{806 \times R_1}{R_1 + R_2}$$

Where is

- $A$  - Gain of input amplifier.
- $R_1$  - Output impedance of signal source (usually 50 Ohm).
- $R_2$  - Value of serial resistors at operational amplifier inputs.

We have  $R_2 = 1000\Omega$  and  $R_1 = 50\Omega$  which imply  $A = 0.815$ . That value of  $A$  is confirmed by measurement. In our measurement setup we have H1012 Ethernet transformer connected at inputs of ADC. Transformer has 10% tolerance in impedance and amplification. We measured ADC saturation voltage 705.7 mV (generator output) in this setup due to impedance mismatch and uncalibrated transformer gain.



[ADC1-FFT]

**Figure 2.7.** Sine signal sampled by ADC1 module with LTC2190 and LT6600-5 devices.

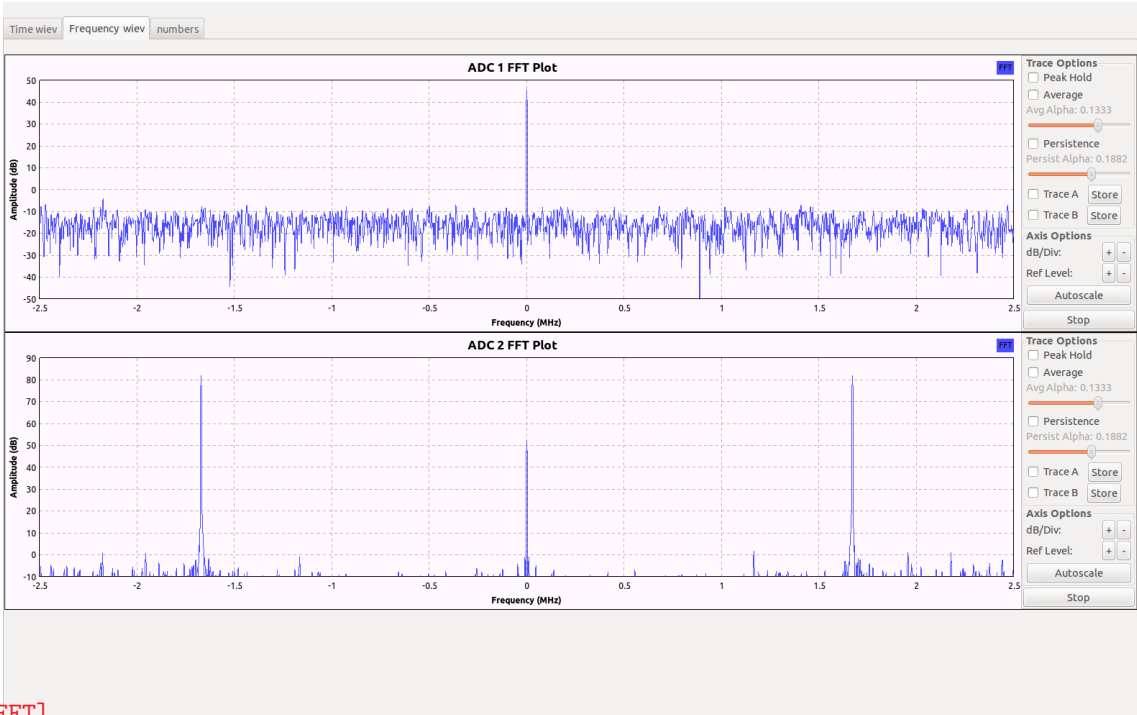
For ADC2 we must use formula with different constant ???. ADC2 module has LT6600-2.5 populated and gain is  $A = 2.457$  with same  $R_2$  resistors. We measured saturation voltage of 380 mV (generator output) at channel 1 on this ADC. It is well in parameter tolerances of used setup.

$$A = \frac{1580 \times R_1}{R_1 + R_2}$$

Where is

- $A$  - Gain of input amplifier.
- $R_1$  - Output impedance of signal source (usually 50 Ohm).
- $R_2$  - Value of serial resistors at operational amplifier inputs.

Computed FFT spectra for measured signal are shown in images 2.8 and 2.7. Both images confirms that ADCdual01A modules have input dynamical range 80 dB at least.



[ADC2-FFT]

Figure 2.8. Sine signal sampled by ADC2 module with LTC2271 and LT6600-2.5 devices.

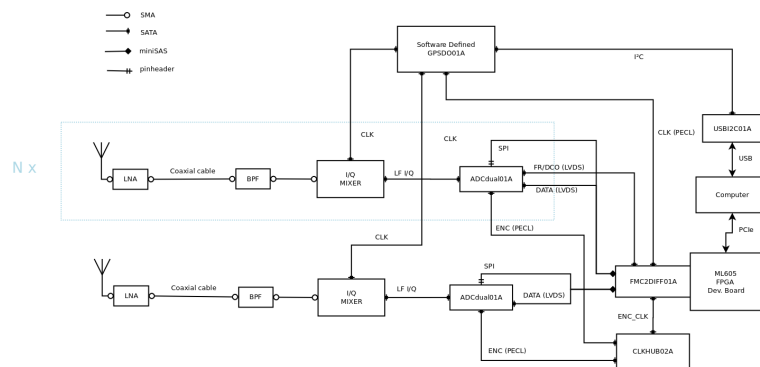
# Chapter 3

## Example of usage

For additional validation of system design a receiver setup was constructed.

### 3.1 Basic interferometer station

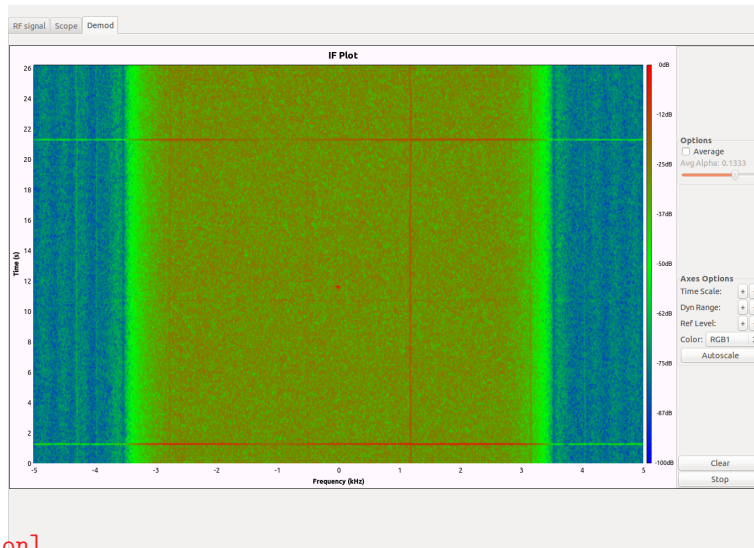
Interferometry station was selected as most basic setup. We connected the new data acquisition system to two SDRX01B receivers. Block schematic of used setup is shown in image 3.1. Two ground-plane antennas were used and mounted outside of balcony at CTU building at location 50°4'36.102N, 14°25'4.170E. Antennas were equipped by LNA01A amplifiers. Coaxial cable length are matched for 5 meters. And antennas were isolated by common mode ferrite bead mounted on cable for minimize signal coupling between antennas. Evaluation system consists SDGPSDO local oscillator subsystem used for tuning local oscillator frequency.



[block-schematic]

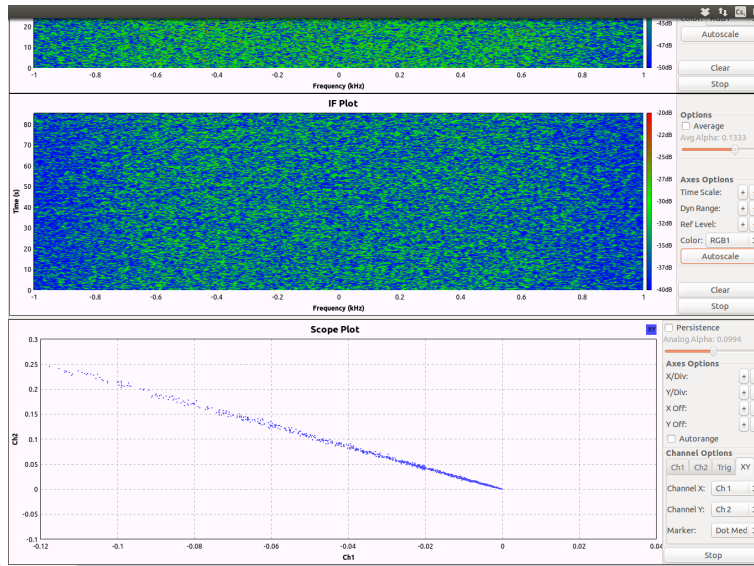
Figure 3.1. Complete receiver block schematic of dual antenna interferometric station.





[meteor-reflection]

Figure 3.2. Meteor reflection received by evaluation setup.



[phase-phase-difference]

Figure 3.3. Demonstration of phase difference between antennas.

## Chapter 4

### Proposed final system

Construction of a final system which is supposed to be employed for real radioastronomy observations will be described. This chapter is mainly a theoretical analysis of data handling systems. Realization of these ideas might be possible as a part of our future development after we fully evaluate and test the current trial design.

The system requires proper handling of huge amounts of data and either huge and fast storage capacity is needed for store captured signal data, or enormous computational power is required for online data processing and filtering. Several hardware approach currently exist and are in use for data processing problem handling. Either powerful multi gigahertz CPUs, GPUs, FPGAs, or specially constructed ASICs are used for this task.

#### 4.1 Custom design of FPGA board

In the beginning of the project, a custom design of FPGA interface board had been considered. This FPGA board should include PCI express interface and should sell at lower price than trial design. It should be compatible with MLAB which is further backward compatible with the existing or improved design of ADC modules. For a connection of this board to another adapter board with PCIe we expect a use of a host interface. Thunderbolt technology standard was expected to be used in this PC to PCIe -i FPGA module. Thunderbolt chips are currently available on the market for reasonable prices. However, a problem lies in the accessibility to their specifications, as they are only available for licensed users and Intel has a mass market oriented licensing policy, that makes this technology inaccessible for low quantity production. As a consequence, an external PCI Express cabling and expansion slots should be considered as a better solution.

However, these systems and cables are still very expensive. Take (<http://www.opalkelly.com/products/x>) as an example, with its price tag reaching 995 USD at time of writing of thesis. Therefore, a better solution probably needs to be found.

#### 4.2 Parralella board computer

#### 4.3 GPU based computational system

A new GPU development board NVIDIA K1, shown in the following picture 4.1, has recently been released. These boards are intended to be used in fields including computer vision, robotics, medicine, security or automotive industry. They have ideal parameters for signal processing for a relatively low price of 192 USD. Unfortunately, they are currently only in pre-order release stage (in April 2014).





[img-NVIDIA-K1]

**Figure 4.1.** The NVIDIA Jetson TK1 Development Kit <https://developer.nvidia.com/jetson-tk1>.

# Chapter 5

## Conclusion

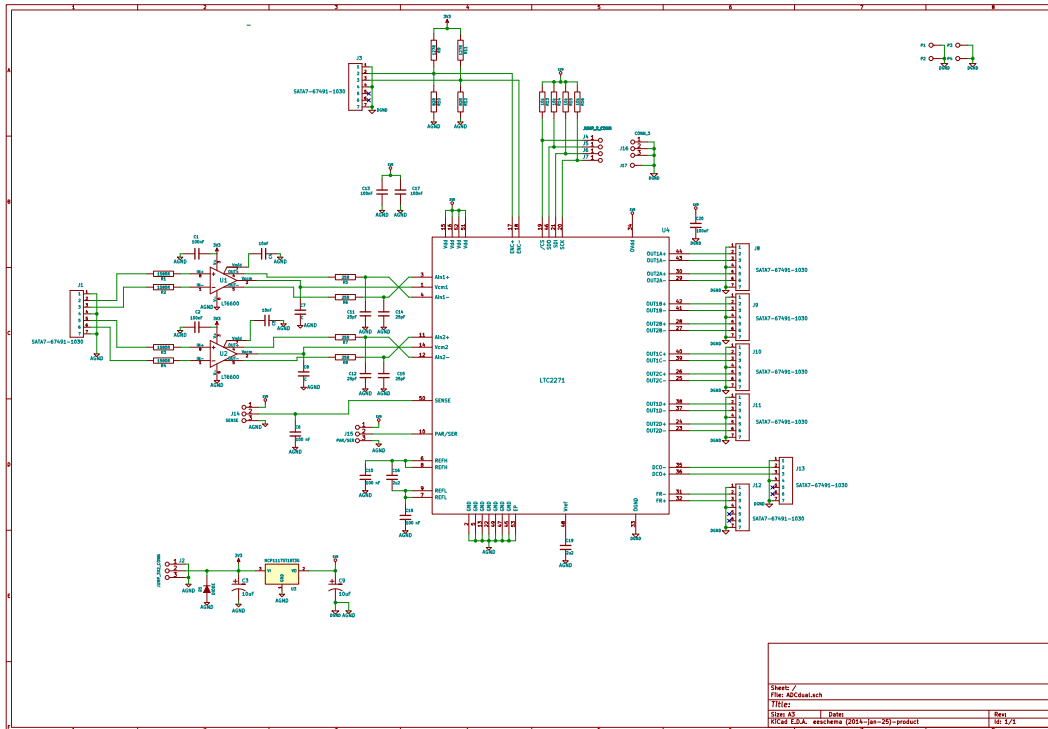
Special design of scalable data-aquisition system was proposed. This system has parameters

### 5.1 Possible future improvements

Several ADC module imperfections, such as useless separation of FRAME and DCO signal to two connectors, should be mitigated. And this two signals should be merged to one SATA connector. This modification removes one redundant SATA cable between analog to digital converter nest and between computational unit nest.

# Appendix A

## Circuit diagram of ADCdual01A module





# Appendix **B**

## Circuit diagram of FMC2DIFF module

FMC\_connector

FMC.sch

SATA\_connectors

SATA.sch

miniSAS\_connectors

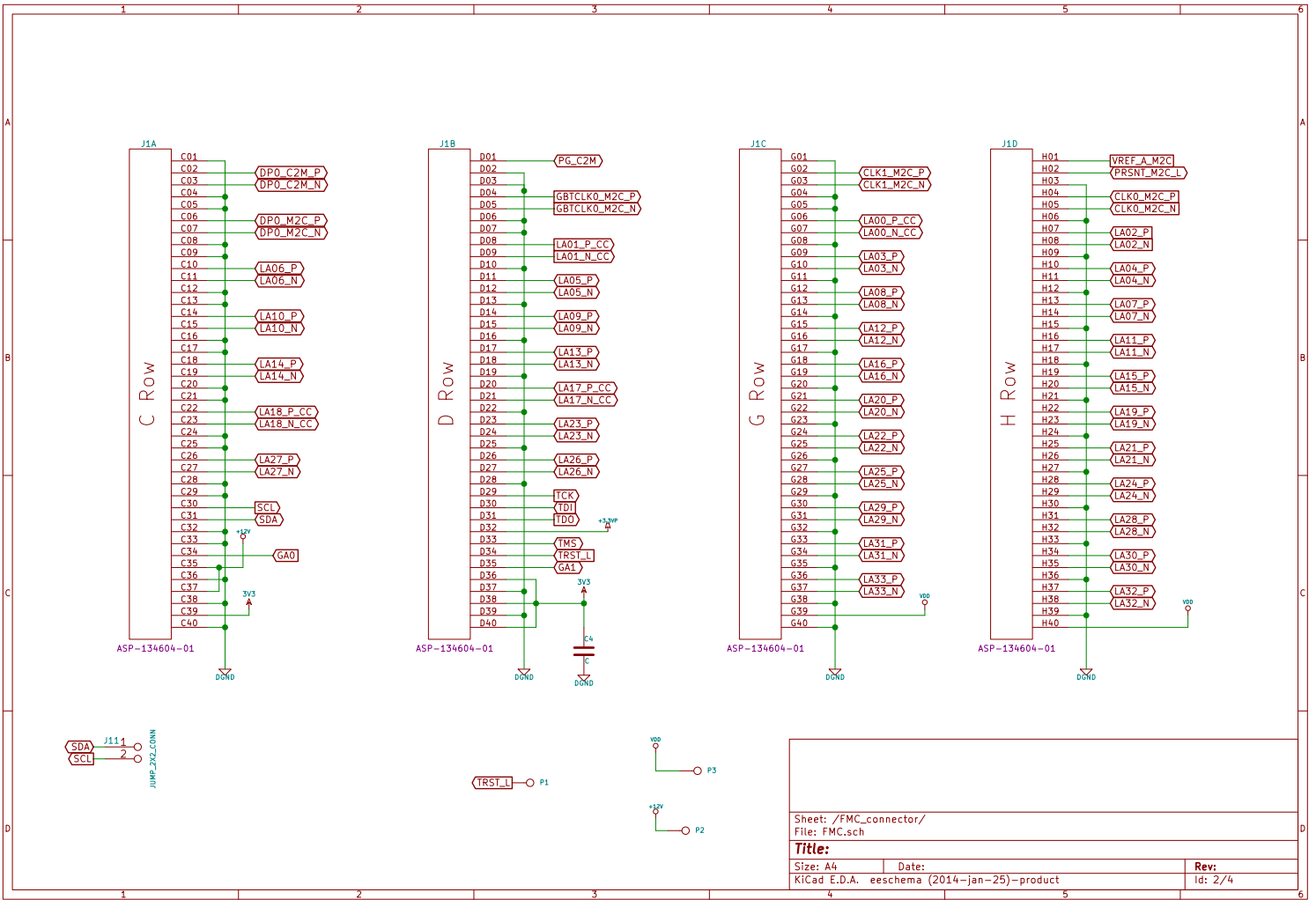
miniSAS.sch

Sheet: /  
File: FMC2DIFF.sch

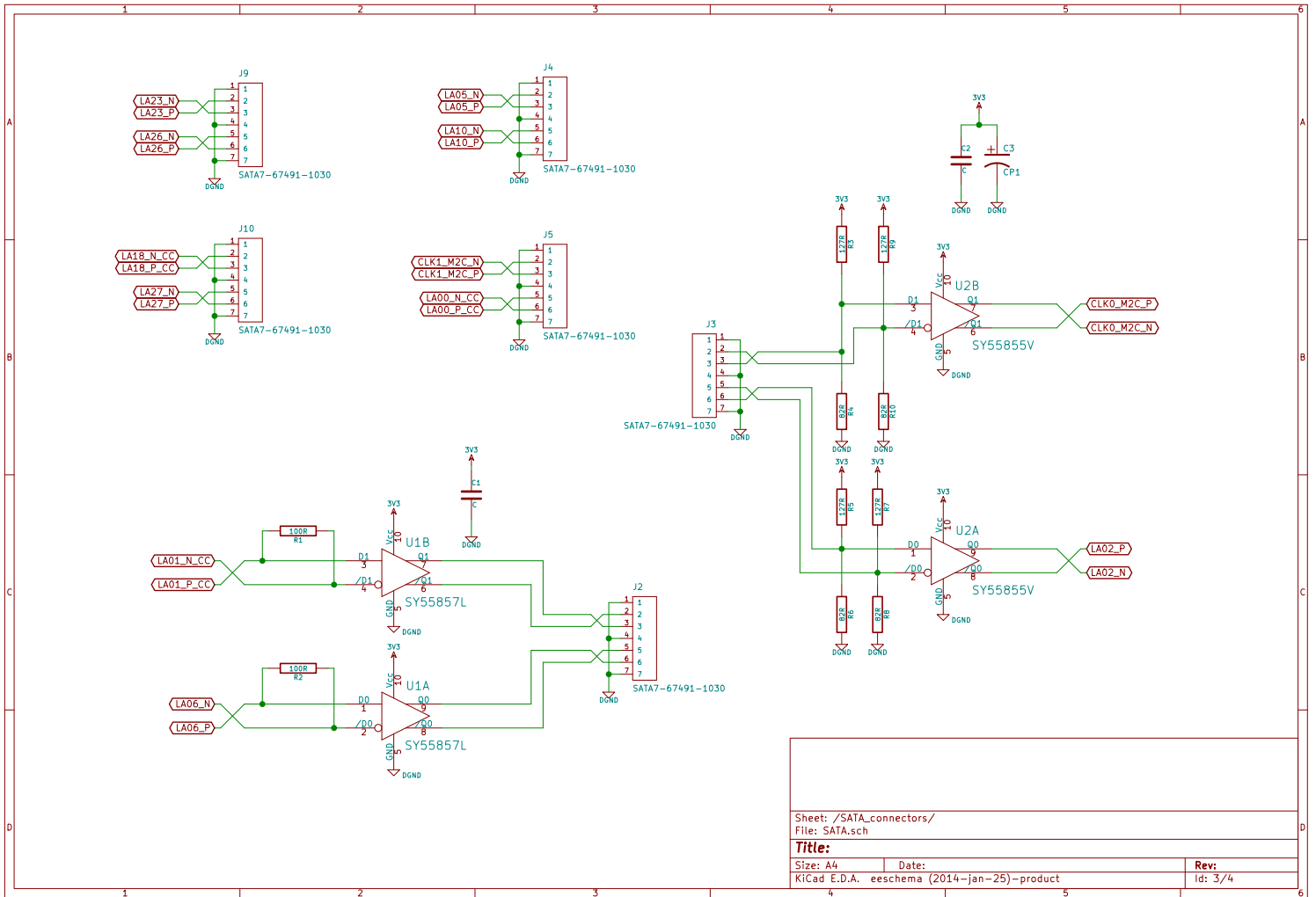
**Title:**

Size: A4 Date:  
KiCad E.D.A. eeschema (2014-jan-25)-product

Rev:  
Id: 1/4



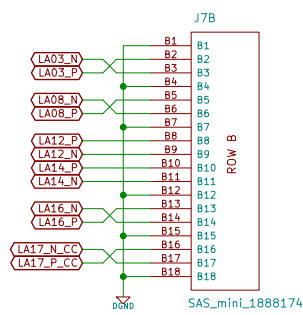
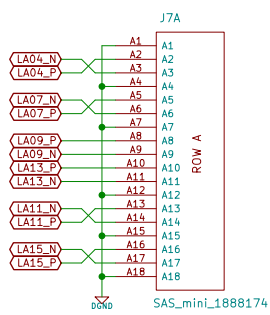
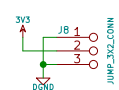
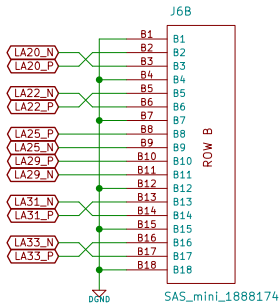
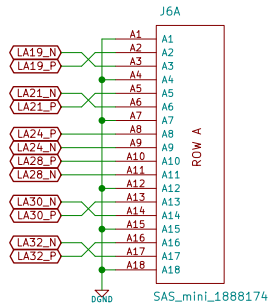
Sheet: /FMC_connector/ File: FMC.sch		Title:	
Size: A4	Date:	Rev:	
KiCad E.D.A. eeschema (2014-jan-25)-product		Id: 2/4	



Sheet: /SATA\_connectors/  
 File: SATA.sch

**Title:**

Size: A4	Date:	Rev:
KiCad E.D.A.	eesschema (2014-jan-25)-product	Id: 3/4



Sheet: /miniSAS_connectors/ File: miniSAS.sch		
<b>Title:</b>		
Size: A4	Date:	Rev:
KiCad E.D.A.	eeschema (2014-jan-25)-product	Id: 4/4





**Appendix C**  
Content of enclosed CD